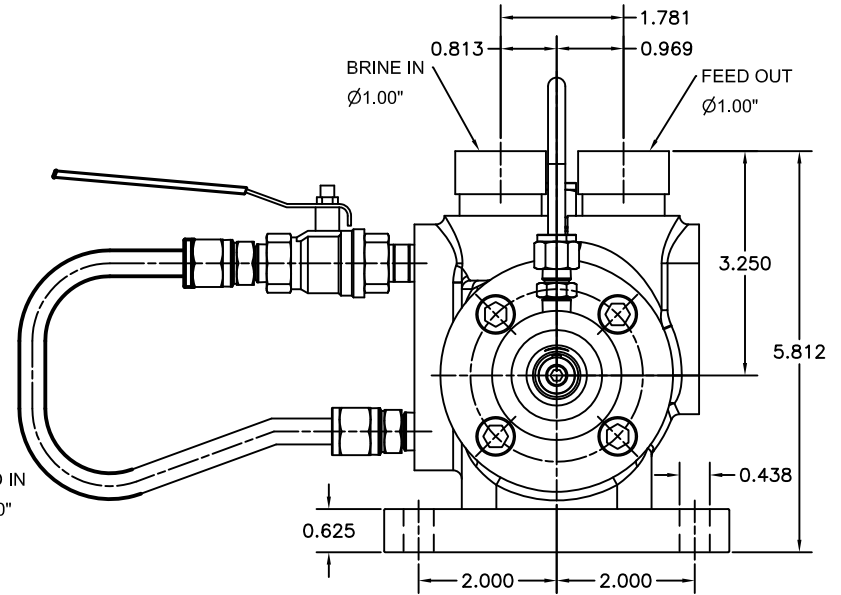
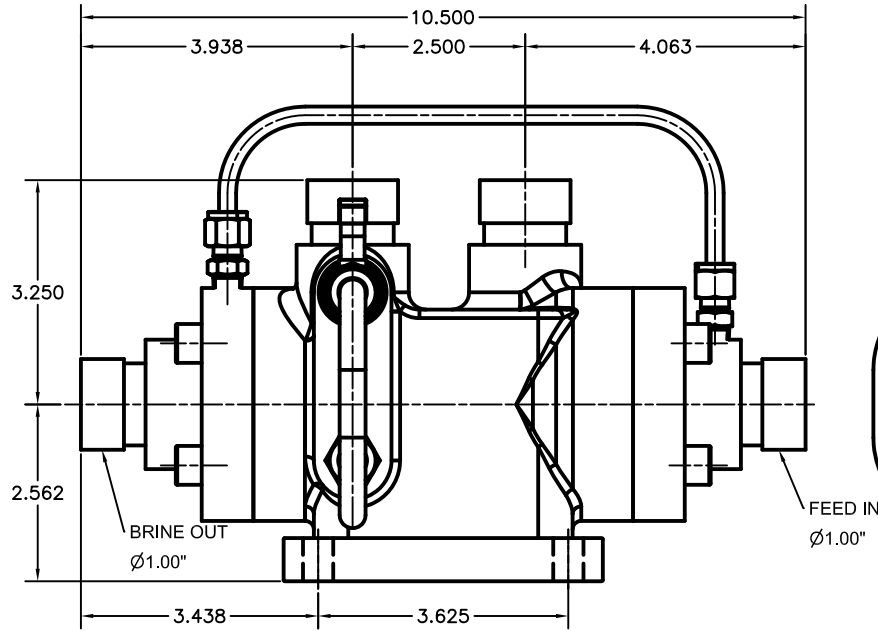


TURBO MODEL: HALO 50
 Hydraulic TurboCharger
 Outline Drawing



Common Specifications

Type	Brine driven feed pressure booster
Number of stages	1 turbine, 1 pump
Feed piping connection	Victaulic Style 77
Brine piping connection	Victaulic Style 77
Max. working pressure	1,200 psig
Hydro test pressure	1.5 X Operating Pressure
Thrust/radial bearing type	Hydrostatic/Sleeve
Rotor balancing	Dynamic

Materials (standard)

Casing	Alloy 2205 (UNS S31803)
Bolting	316 stainless steel
Rotor	Alloy 2205 (UNS S31803)
Bearings (water lubricated)	Graphite
(optional)	Ceramic
Estimated weight	30 Lbs.

*ALL DIMENSIONS IN INCHES. WEIGHT IN LBS.
 DO NOT SCALE FROM DRAWING.
 SEE TUBING DRAWING FOR DIMENSION
 OF EXTERNAL TUBING ASSEMBLY.

Pump Engineering, Inc.

CERTIFIED CORRECT

Cust. _____
 P.O. _____
 S/N _____
 Date _____ By _____