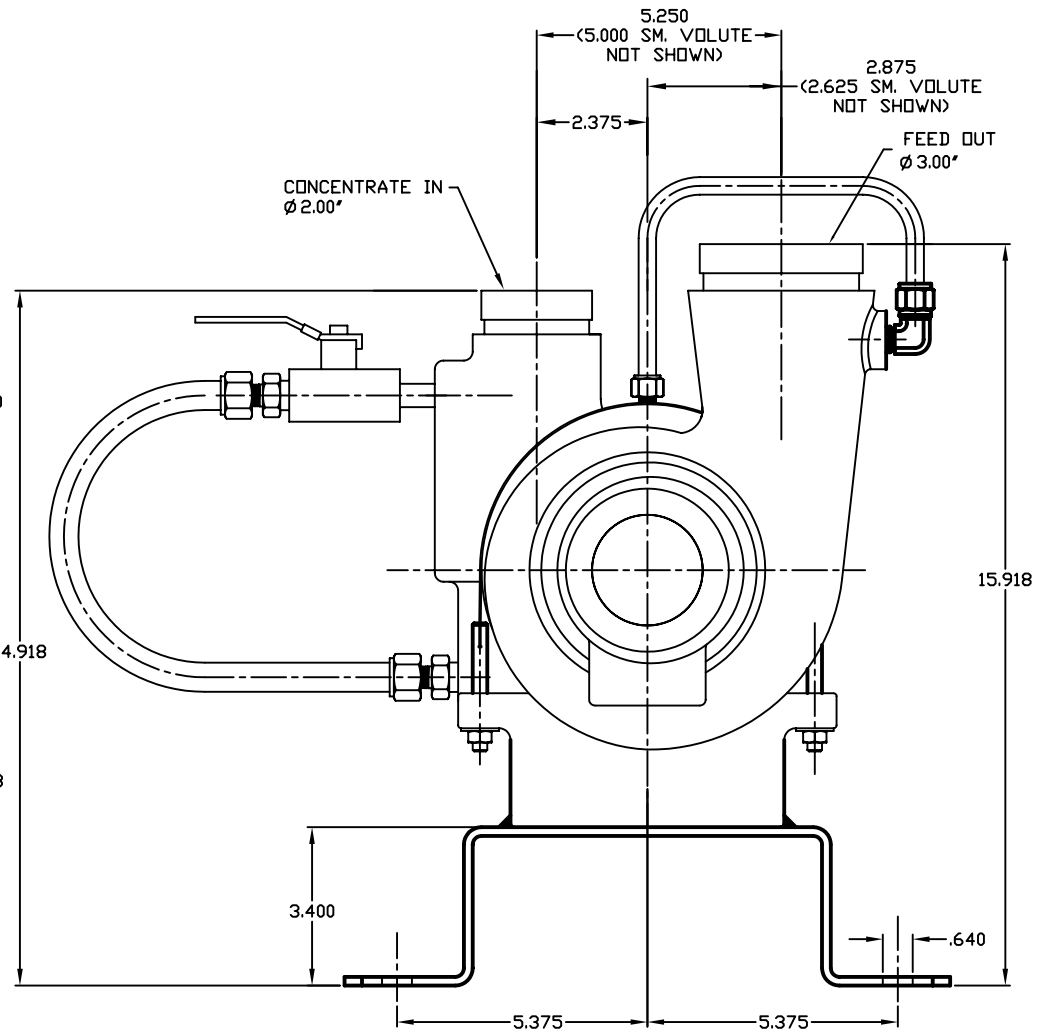
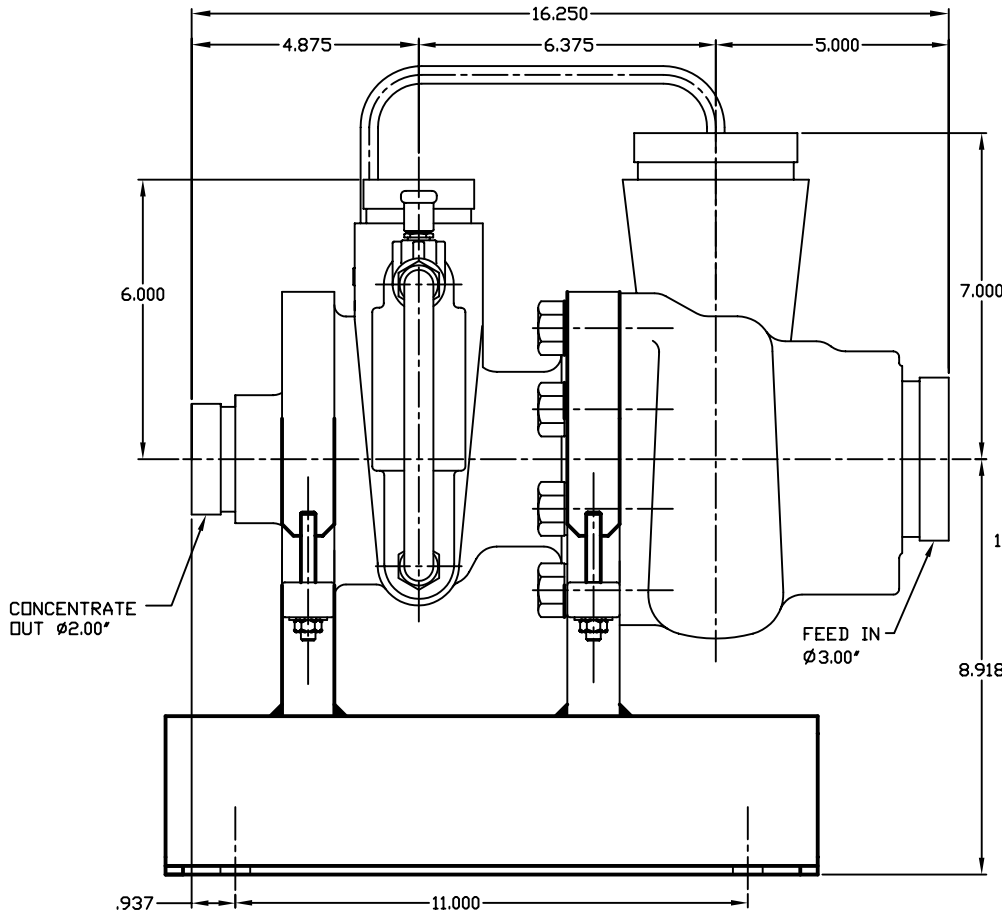


MODEL: LPT 250 Large Volute
 Low Pressure TurboCharger
 Outline Drawing



Common Specifications

Type	Brine driven feed pressure booster
Number of stages	1 turbine, 1 pump
Feed piping connection	Victaulic Style 77
Brine piping connection	Victaulic Style 77
Max. working pressure	600 psig
Hydro test pressure	900 psig
Thrust/radial bearing type	Hydrostatic/Sleeve
Rotor balancing	Dynamic

Materials (standard)

Casing	316 stainless steel, (304 & 2205 optional)
Bolting	316 stainless steel
Rotor	Alloy 2205 (UNS S31803)
Bearings (water lubricated)	Graphite (optional) Ceramic
Estimated weight	165 Lbs.

*LENGTH IN INCHES. WEIGHT IN LBS.
 DO NOT SCALE FROM DRAWING.
 SEE TUBING DRAWING FOR DIMENSION
 OF EXTERNAL TUBING ASSEMBLY.

Pump Engineering, Inc.

Cust. _____
 P.O. _____
 S/N _____
 Date _____ By _____